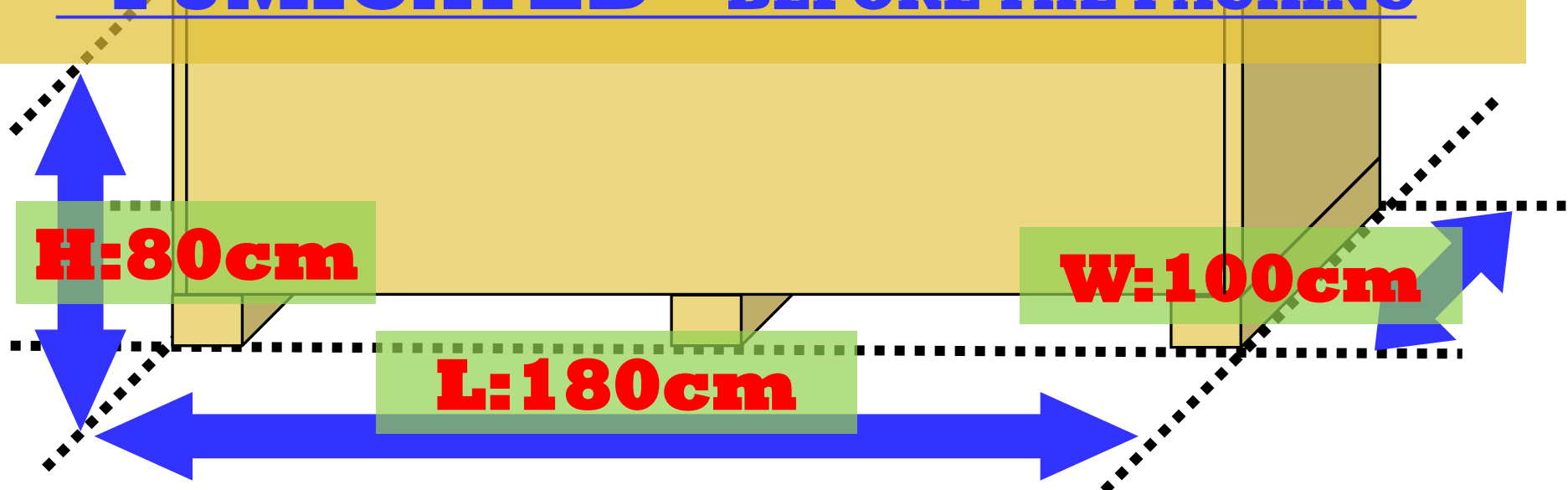


**The external dimension  
of the robot box must not exceed  
L180 x W100x H80 cm**

**ALL THE MATERIAL SHOULD BE “PLYWOOD”**

***OR***  
***OPEN THIS SIDE***

**“FUMIGATED” BEFORE THE PACKING**

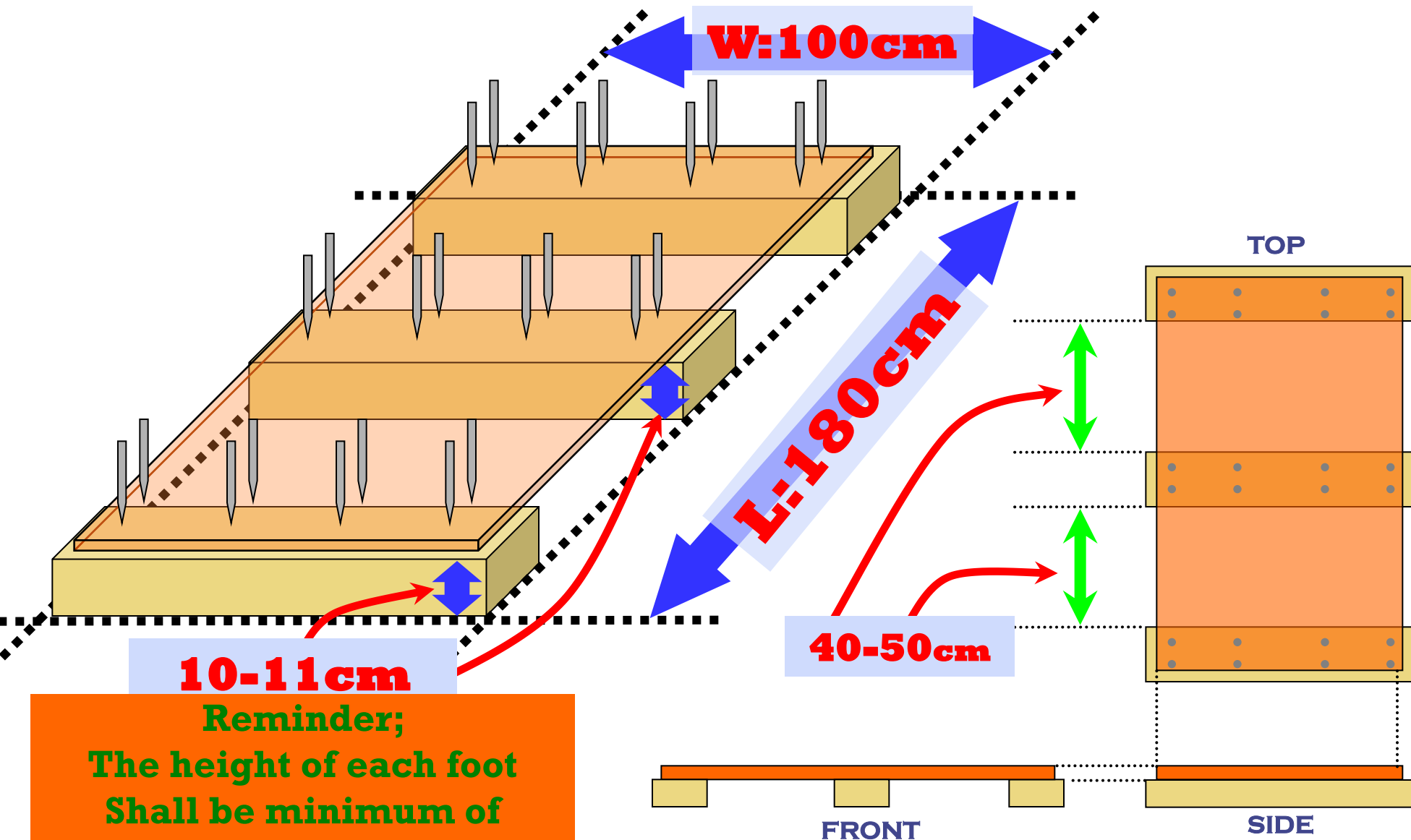


# BOTTOM(FLOOR) & FOOT

# ★STEP01



YAMATO  
GLOBAL LOGISTICS  
JAPAN  
CO., LTD.



**10-11cm**

**Reminder;**

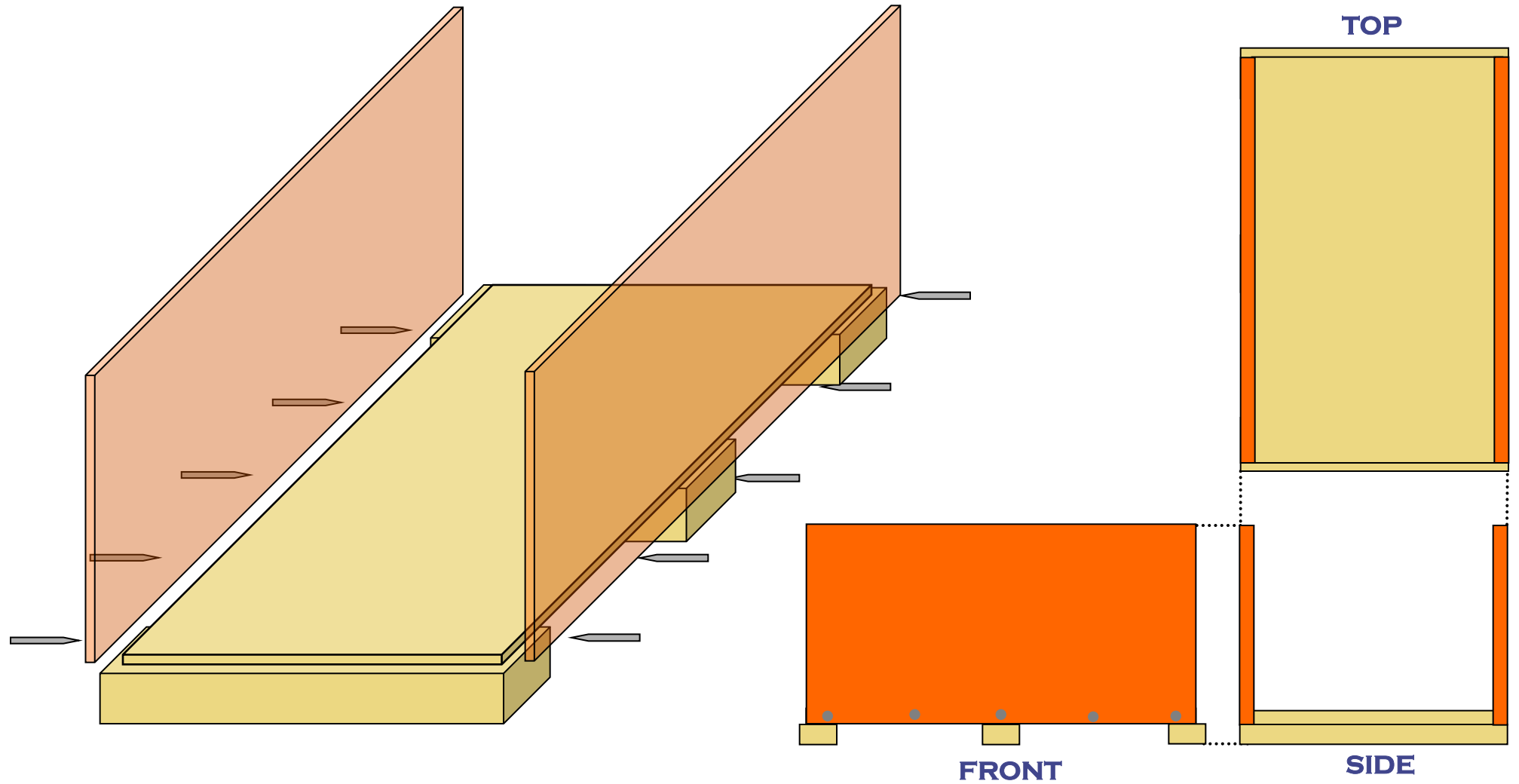
**The height of each foot  
Shall be minimum of  
“10-11 cm”**

**40-50cm**

**FRONT**

**SIDE**

**TOP**



# SIDE - SHORT

## ★STEP03



YAMATO  
GLOBAL LOGISTICS  
JAPAN  
CO., LTD.

